

Safety Switches Enclosure Dimensions

Spec-Setter™ Safety Switches

TC, TDT, TPF and TPN

NEMA Type 1 and 3R Enclosures

Section 4

NEMA Type 1 TC Double Throw Approximate Dimensions in Inches Figure 1

Product Number	Dimension W	Dimension H	Dimension D	Dimension W2	KO Figure Number ¹
TC35321	10.37	15.81	5.33	12.04	7
TC35322	11.37	18.75	6.43	13.10	7
TC35323	14.37	22.37	8.06	16.12	9
TC35324	17.87	30.12	9.15	19.88	10
TC35325	24.40	34.31	10.52	26.94	10
TC35326	23.50	44.38	9.25	26.00	12
TC35362	11.37	18.75	6.43	13.10	7
TC35363	14.37	22.37	8.06	16.12	9
TC35364	17.87	30.12	9.15	19.88	10
TC35365	20.44	34.31	8.25	22.90	10
TC35366	23.50	44.38	9.25	26.00	12

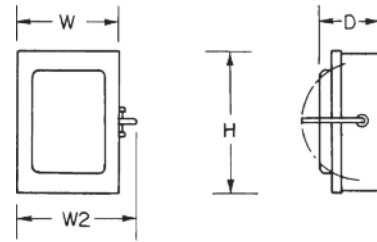


Figure 1

NEMA Type 3R TC Double Throw Approximate Dimensions in Inches Figure 1

Product Number	Dimension W	Dimension H	Dimension D	Dimension W2	KO Figure Number ¹
TC35321R	10.88	19.75	5.33	11.98	No KO
TC35322R	11.88	20.80	6.43	12.98	No KO
TC35323R	14.88	22.91	8.06	16.38	No KO
TC35324R	17.87	30.63	9.15	19.88	No KO
TC35325R	24.40	34.83	10.52	26.94	No KO
TC35362R	11.88	20.80	6.43	12.98	No KO
TC35363R	14.88	22.91	8.06	16.38	No KO
TC35364R	17.87	30.63	9.15	19.88	No KO

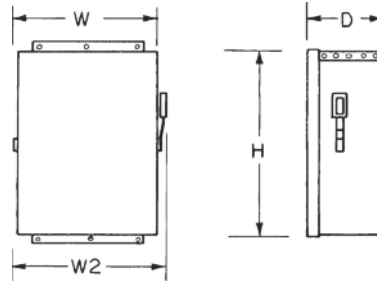


Figure 2

NEMA Type 1 TDT Fusible Double Throw Approximate Dimensions in Inches Figure 5

Product Number	Dimension W	Dimension H	Dimension D	Dimension W2	KO Figure Number ¹
TDT3321	-	37	9 7/8	12 3/4	No KO
TDT3322	-	37	9 7/8	12 3/4	No KO
TDT3323	-	37	9 7/8	12 3/4	No KO
TDT3324	-	51 3/8	11 1/4	20 3/8	No KO
TDT3325	-	74 3/4	14 1/8	26 1/8	No KO
TDT3326	-	86 1/8	14 1/8	28 1/4	No KO
TDT3361	-	37	9 7/8	12 3/4	No KO
TDT3362	-	37	9 7/8	12 3/4	No KO
TDT3363	-	37	9 7/8	12 3/4	No KO
TDT3364	-	51 3/8	11 1/4	20 3/8	No KO
TDT3365	-	74 3/4	14 1/8	26 1/8	No KO

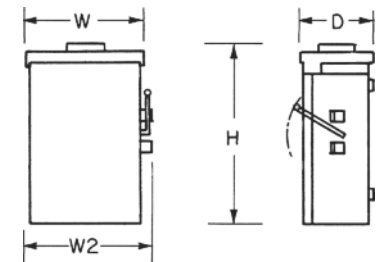


Figure 3

NEMA Type 1 TC 800 and 1200 Amp Approximate Dimensions in Inches Figure 2

Product Number	Dimension W	Dimension H	Dimension D	Dimension W2	KO Figure Number ¹
TC36367	32 1/4	52 1/2	12 1/2	34	No KO
TC36368	37 1/2	65 1/2	13 1/2	39 1/4	No KO
TC72267	41 3/4	62	12 1/2	43 1/2	No KO
TC72268	47 1/2	77	13 1/2	49 1/4	No KO
TC72367	41 3/4	62	12 1/2	43 1/2	No KO
TC72368	47 1/2	77	13 1/2	49 1/4	No KO

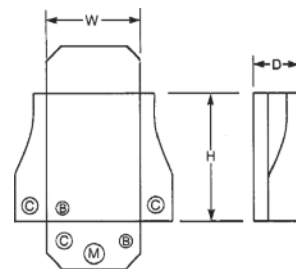


Figure 4

NEMA Type 3R TC Double Throw Approximate Dimensions in Inches Figure 3

Product Number	Dimension W	Dimension H	Dimension D	Dimension W2	KO Figure Number ¹
TC10323R	7 3/8	15 1/8	4	8 1/16	15
TC10324R	13 9/16	30	6 1/4	15 5/8	13
TC10424R	13 9/16	30	6 1/4	15 5/8	13

NEMA Type 3R TDT Fusible Double Throw Approximate Dimensions in Inches Figure 5

Product Number	Dimension W	Dimension H	Dimension D	Dimension W2	KO Figure Number ¹
TDT3321R	-	37	9 7/8	12 3/4	No KO
TDT3322R	-	37	9 7/8	12 3/4	No KO
TDT3323R	-	37	9 7/8	12 3/4	No KO
TDT3324R	-	51 3/8	11 1/4	20 3/8	No KO
TDT3363R	-	37	9 7/8	12 3/4	No KO
TDT3364R	-	51 3/8	11 1/4	20 3/8	No KO

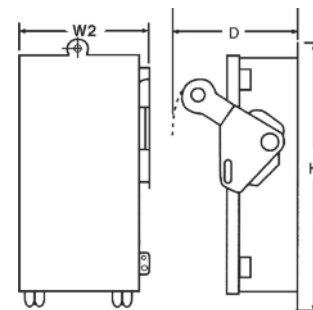


Figure 5

¹See page 3-38.



Safety Switches Enclosure Dimensions

Spec-Setter™ Safety Switches
TC, TDT, TPF and TPN
NEMA Type 1 and 3R Enclosures

Section 4

NEMA Type 3R TC 800 and 1200 Amp Approximate Dimensions in Inches Figure 2

Product Number	Dimension W	Dimension H	Dimension D	Dimension W2	KO Figure Number
TC72267R	41 3/4	62	12 1/2	43 1/2	No KO
TC72268R	47 1/2	77	13 1/2	49 1/4	No KO
TC72367R	41 3/4	62	12 1/2	43 1/2	No KO
TC72368R	47 1/2	77	13 1/2	49 1/4	No KO

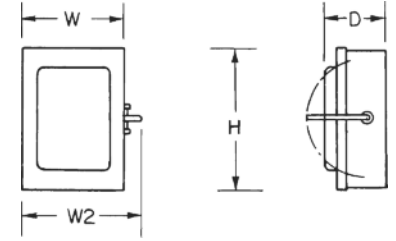


Figure 1

NEMA Type 3R TP AC Disconnect Approximate Dimensions in Inches Figure 4

Product Number	Dimension W	Dimension H	Dimension D	Dimension W2	KO Figure Number ¹
TPF30R	5 3/4	8	3 1/8	-	5
TPF60R	5 3/4	8	3 1/8	-	5
TPN60R1	5	7 1/4	2 1/8	-	5
TPNA60R1	5	7 1/4	2 1/8	-	5

¹See page 4-38.

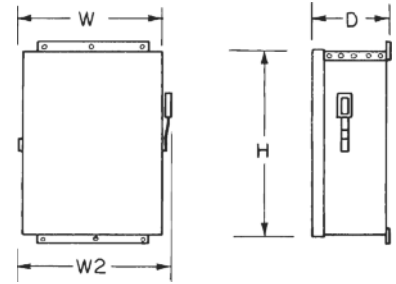


Figure 2

NEMA Type 3R TF AC Disconnect Approximate Dimensions in Inches Figure 5

Product Number	Dimension W	Dimension H	Dimension D	Dimension W2	KO Figure Number ¹
TF30R	4 3/4	7 1/2	2	-	16
TF60R	6 1/2	9	3 1/4	-	16
TFN60R	4 3/4	7 1/2	2	-	16
TFN60RGFR	5 3/4	7 1/8	5 3/16	-	16

¹See page 4-38.

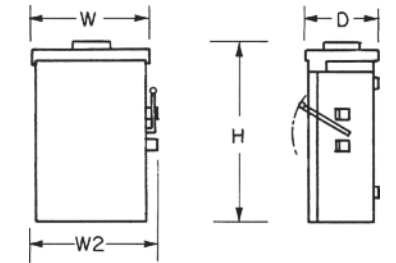


Figure 3

NEMA Type 3R TN AC Disconnect Approximate Dimensions in Inches Figure 5

Product Number	Dimension W	Dimension H	Dimension D	Dimension W2	KO Figure Number ¹
TNA60R1	4 3/4	7 1/2	2	-	16
TNA60RGFR	5 3/4	7 1/8	5 3/16	-	16

¹See page 4-38.

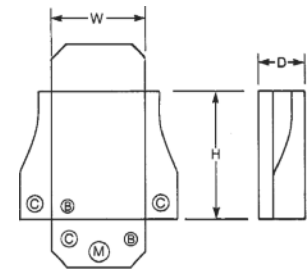


Figure 4

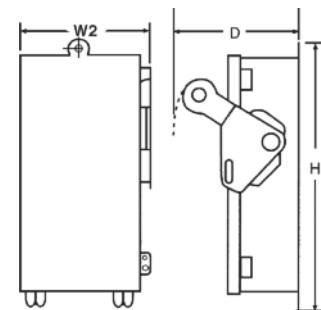


Figure 5

